



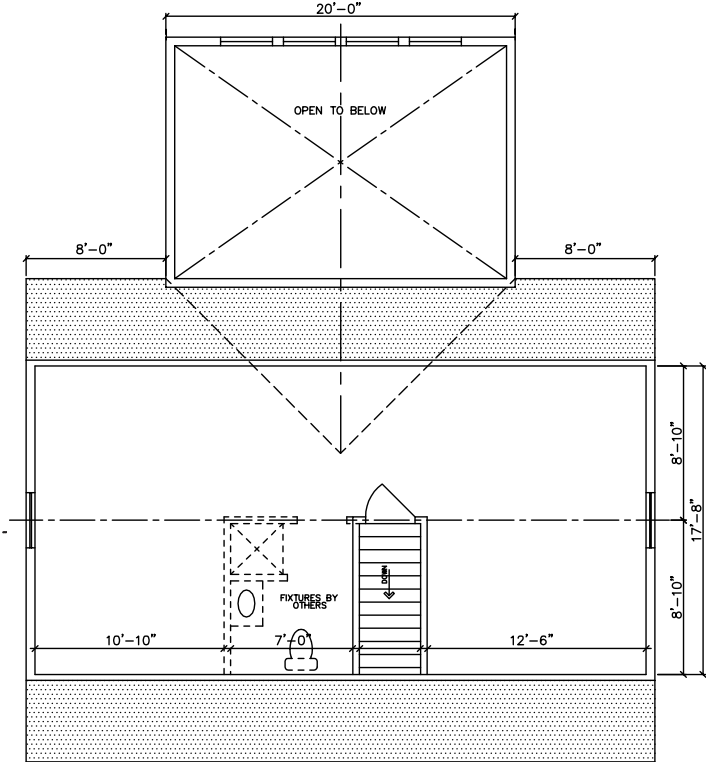
Cape Cottage I, II & IV
1,936-2,666 sq. ft.



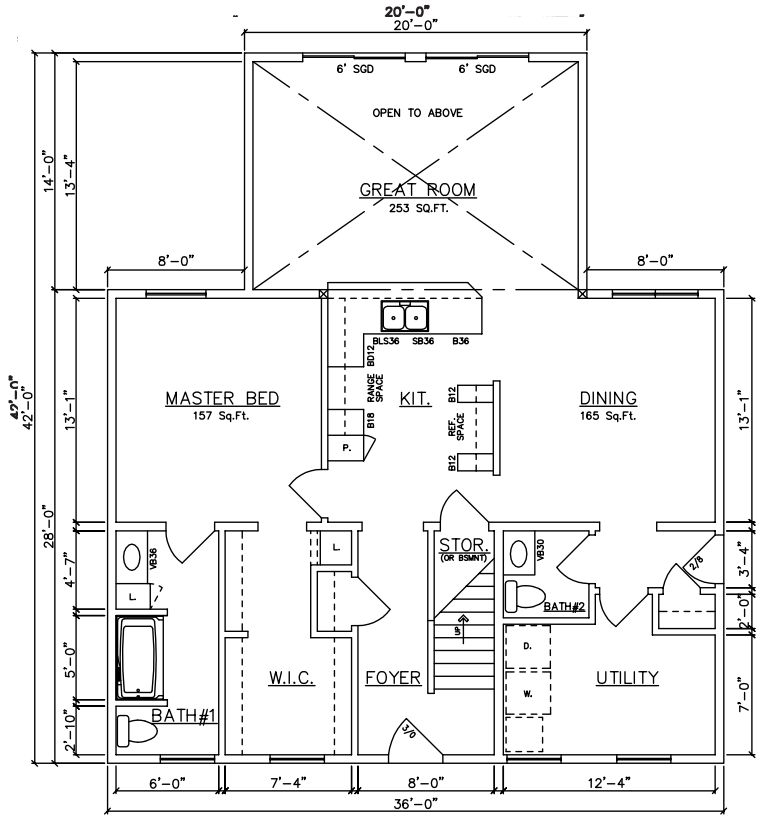
General Housing Corporation
Custom Crafted Construction

Cape Cottage IV 36' Model

1,936 sq. ft. Total



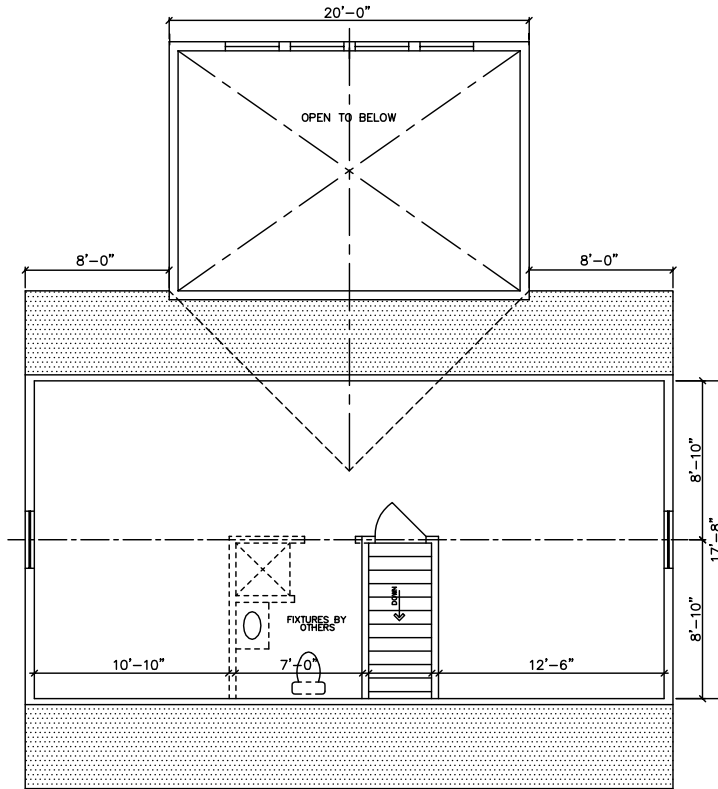
2nd Floor (648 sq. ft.)



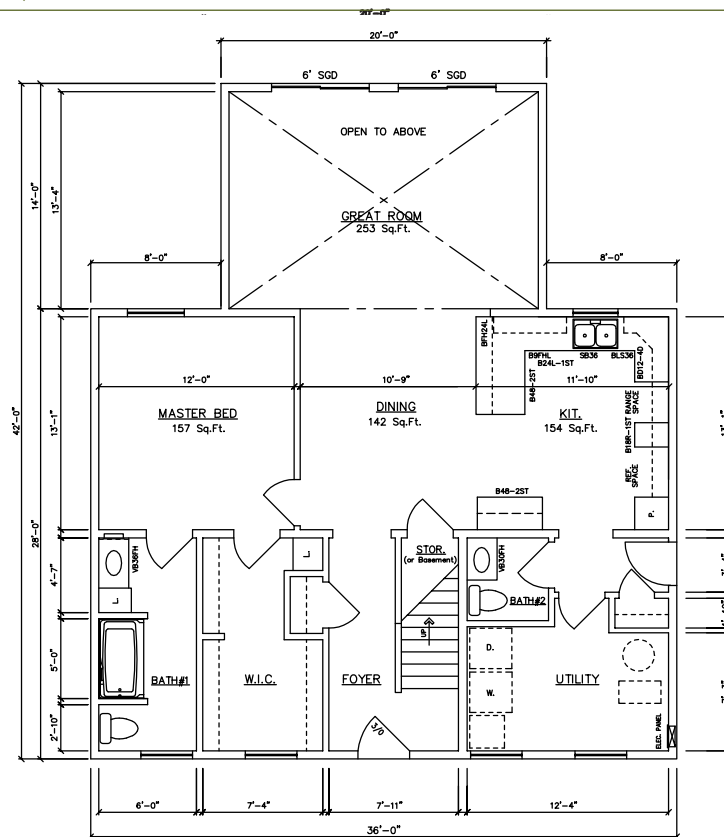
1st Floor (1,288 sq. ft.) – Cape Cottage IV CK 16076 (Crawlspace) 16078 (Basement)

Cape Cottage IV 36' Model

1,936 sq. ft. Total



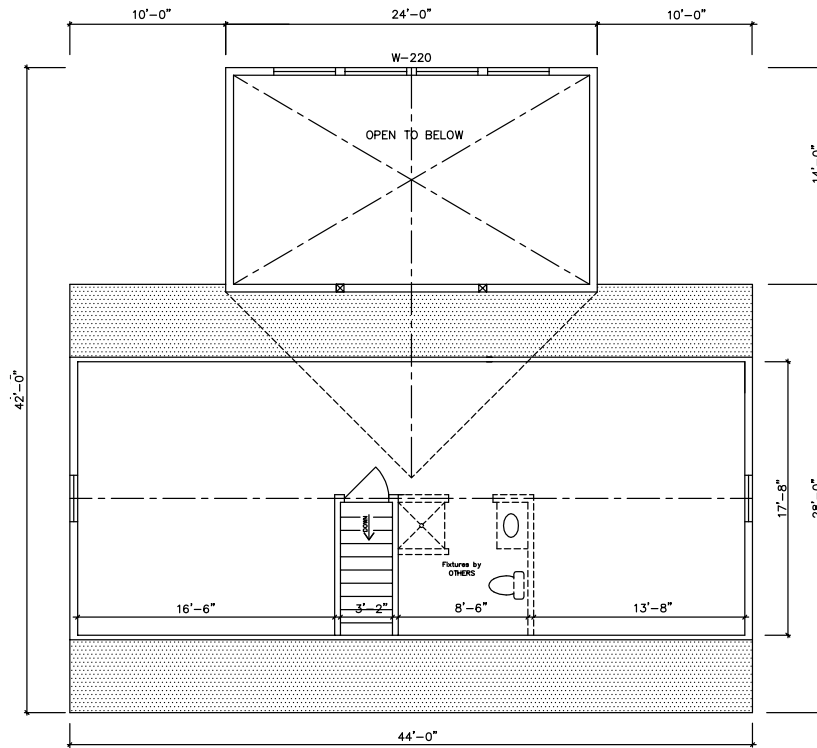
2nd Floor (648 sq. ft.)



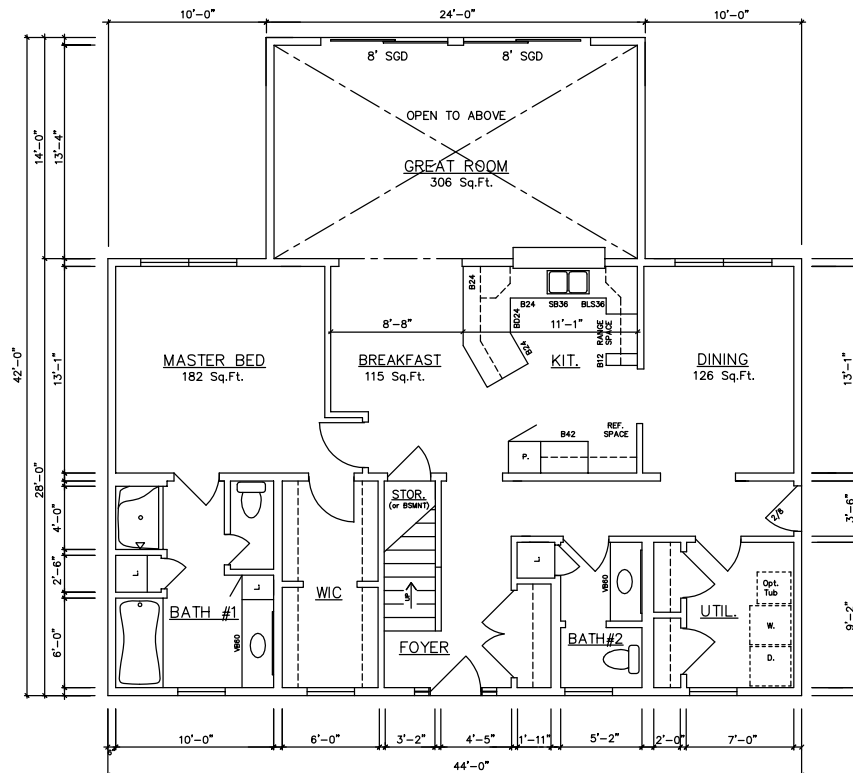
1st Floor (1,288 sq. ft.) – Cape Cottage IV EK 16084 (Crawlspace) 16086 (Basement)

Cape Cottage I 44' Model

2374 sq. ft. Total



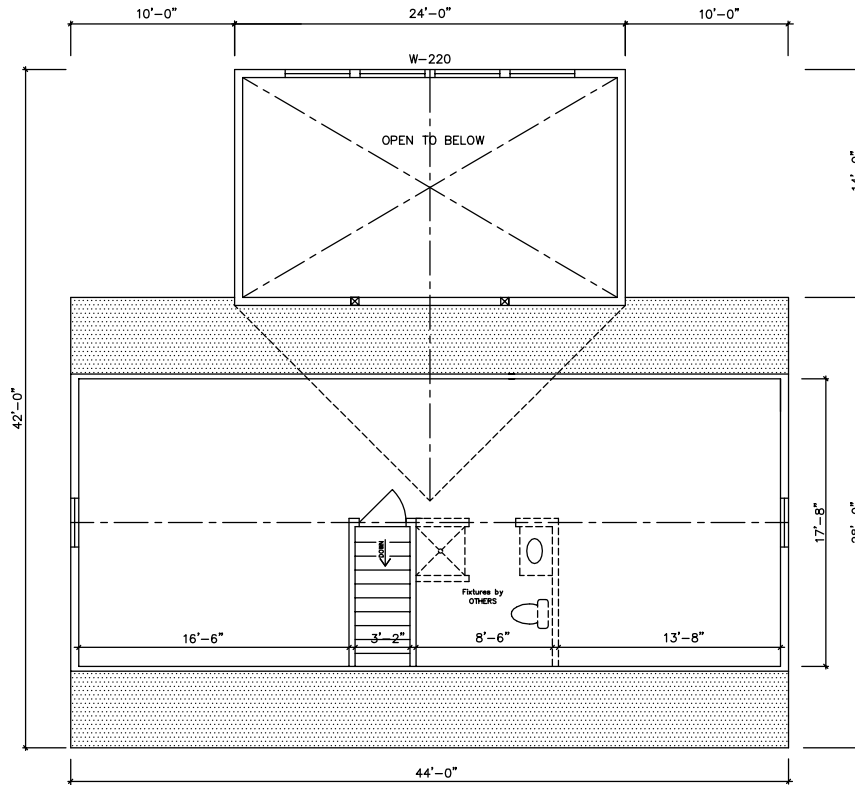
2nd Floor (806 sq. ft.)



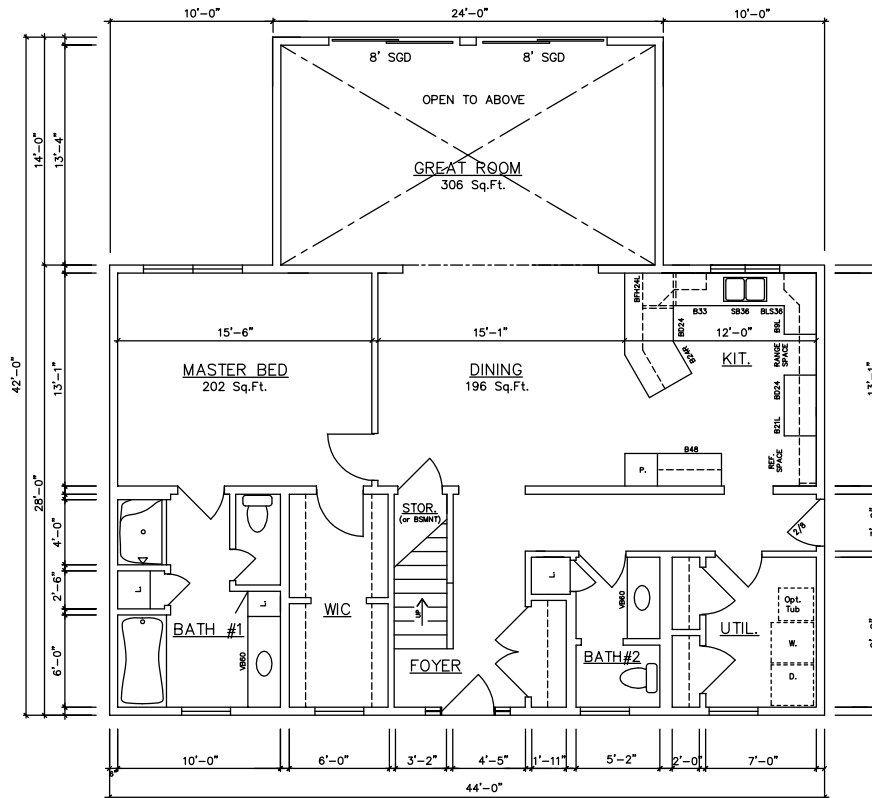
1st Floor (1568 sq. ft.) – Cape Cottage I CK 16046 (Crawlspace) 16048 (Basement)

Cape Cottage I 44' Model

2374 sq. ft. Total



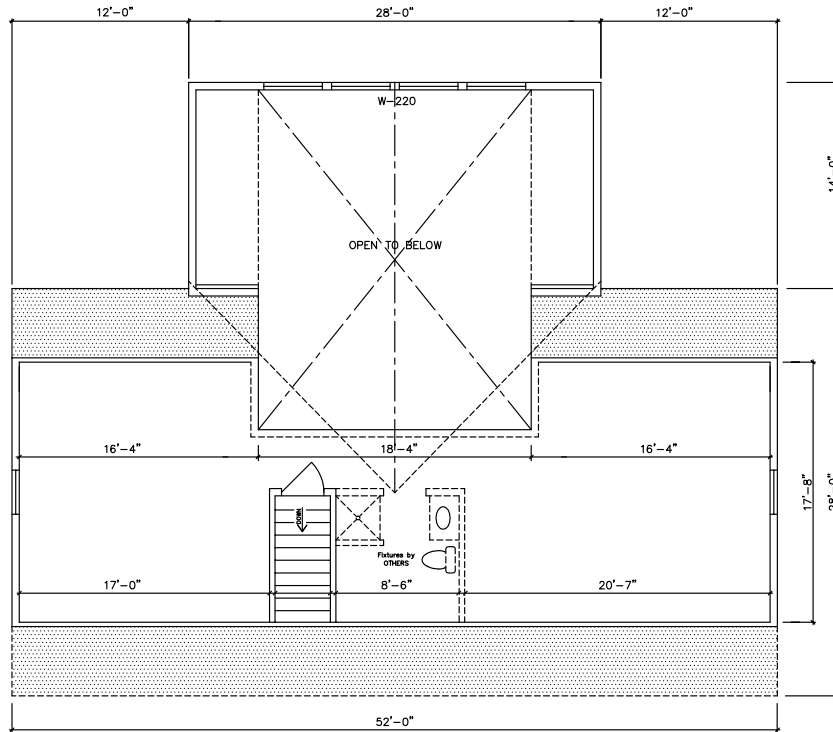
2nd Floor (806 sq. ft.)



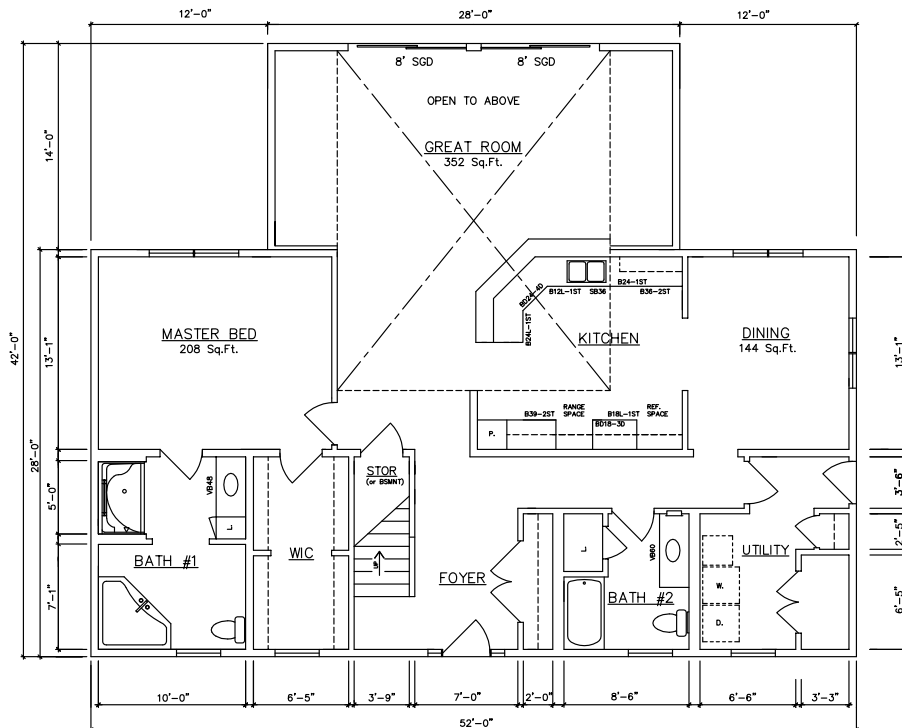
1st Floor (1568 sq. ft.) – Cape Cottage I EK 16080 (Crawlspace) 16082 (Basement)

Cape Cottage I 52' Model

2,652 sq. ft. Total



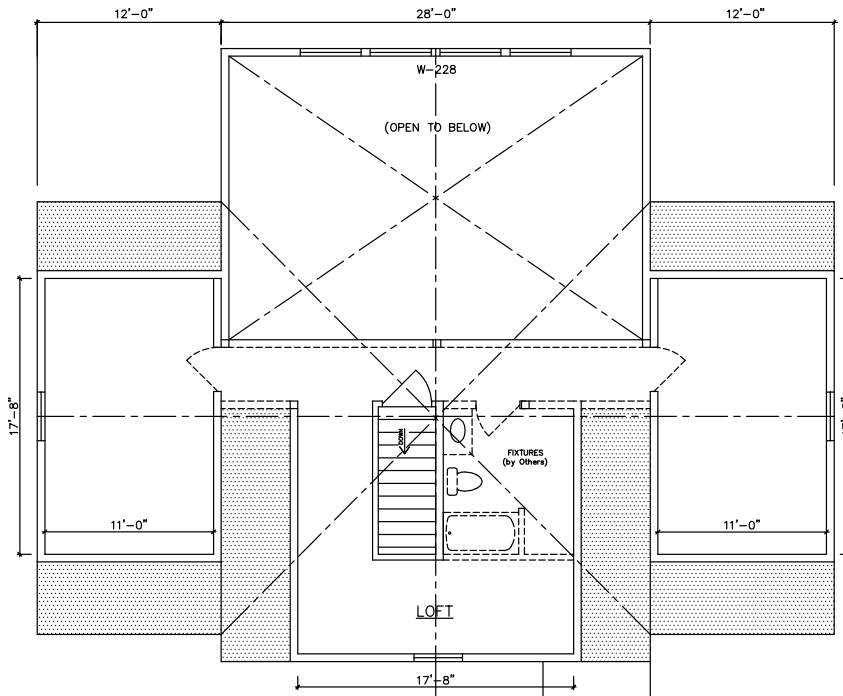
2nd Floor (860 sq. ft.)



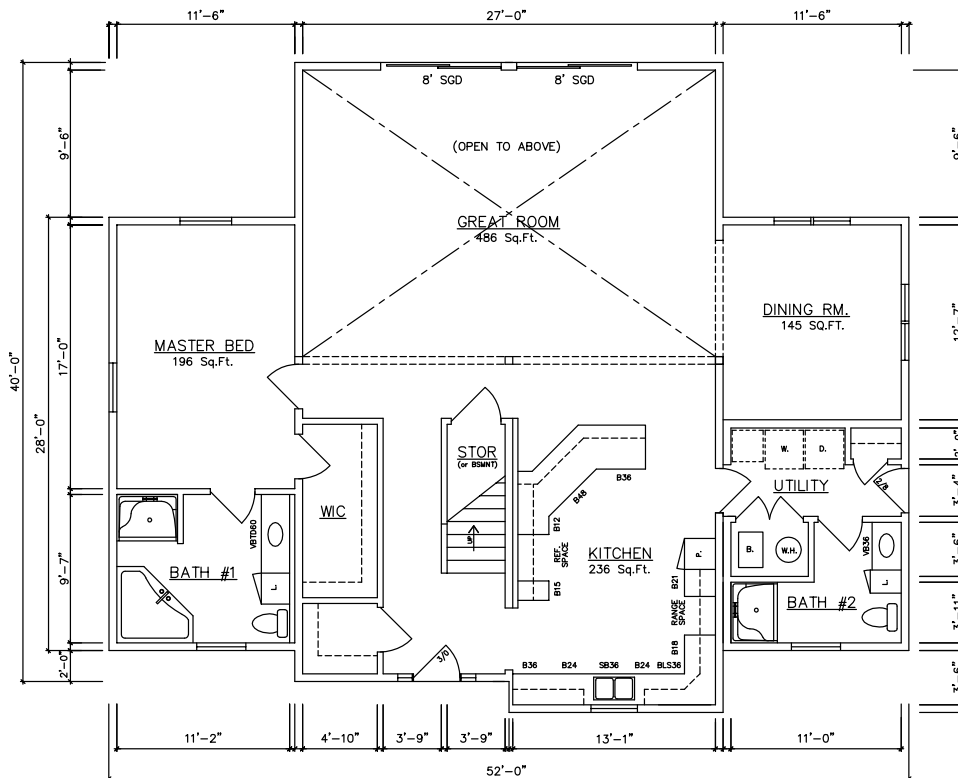
1st Floor (1,792 sq. ft.) – Cape Cottage I 16050 (Crawlspace) 16052 (Basement)

Cape Cottage II 52' Model

2,666 sq. ft. Total



2nd Floor (846 sq. ft.)



1st Floor (1820 sq. ft.) – Cape Cottage II 16060 (Crawlspace) 16062 (Basement)



General Housing Corporation
Custom Crafted Construction

General Housing Corporation
4650 E. Wilder Road
Bay City, MI 48706

Phone (800) 351-3664
(989) 684-8078
Fax (989) 684-2914
www.genhouse.com